

aquatica®

Function, Form & Fashion



CS-702

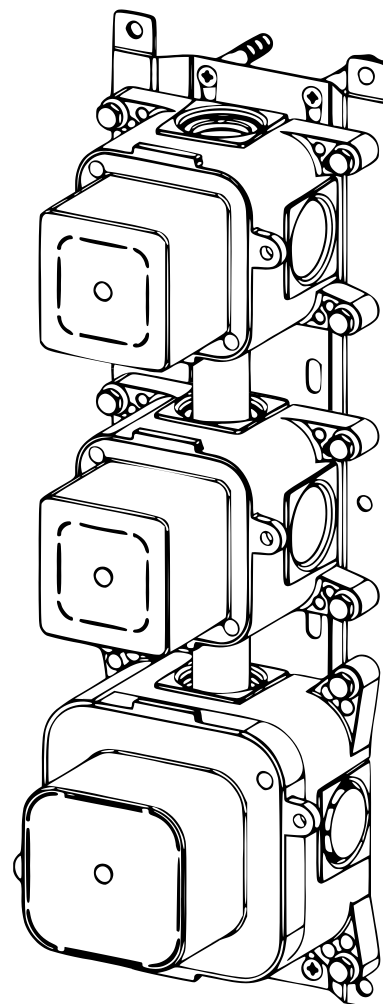
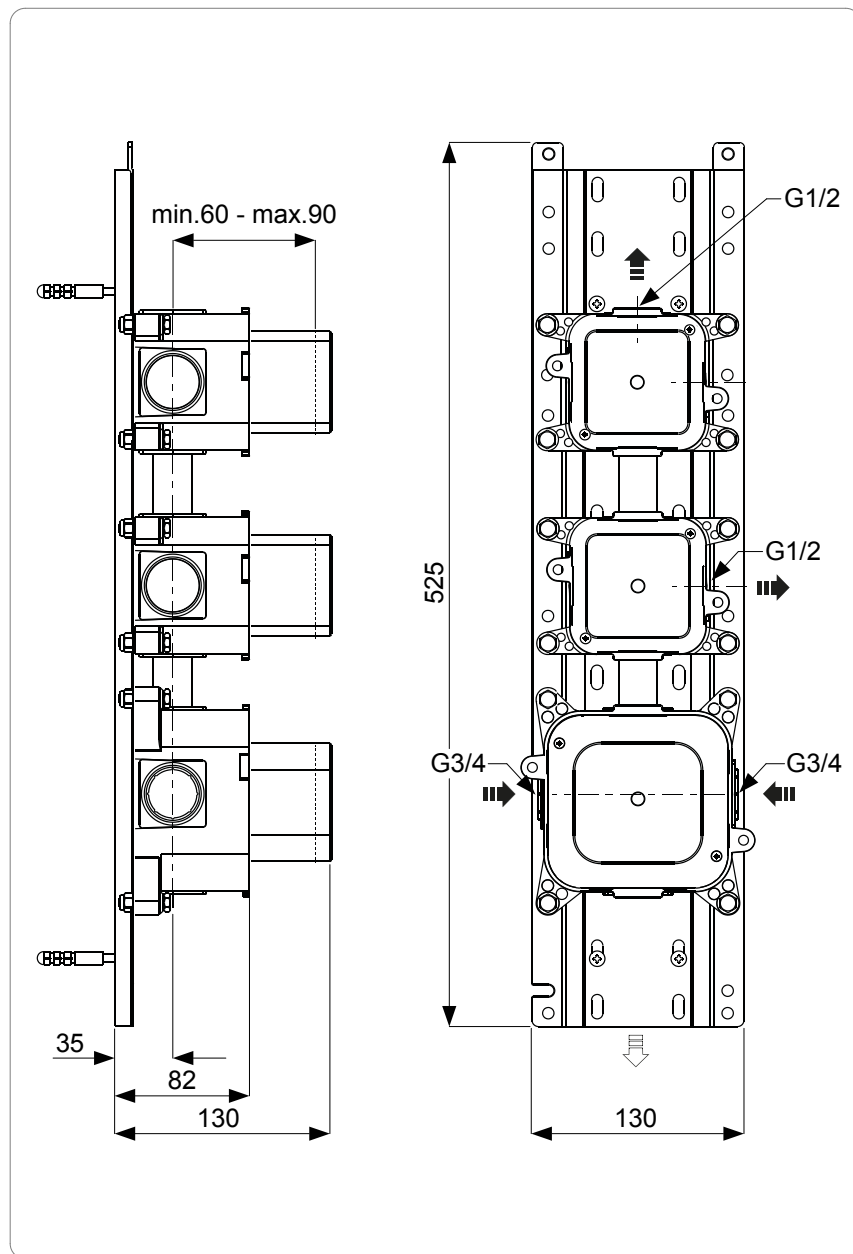
High-Performance Shower Mixer
Installation & Care Manual
Europe / International

CS-702

High-Performance Shower Mixer

PARTS LIST

 MEASUREMENTS: mm



SPECIFICATIONS

Recommended operational pressure	1-5 bar
Maximum test pressure	16 bar
Maximum hot water temperature	80 °C
Recommended temperature	50-60 °C
Pressure difference between hot and cold water	max. 1,5 bar

IMPORTANT NOTE

- Installation to be performed by qualified personnel
- Before connecting to mains, bleed the pipes to avoid damage.



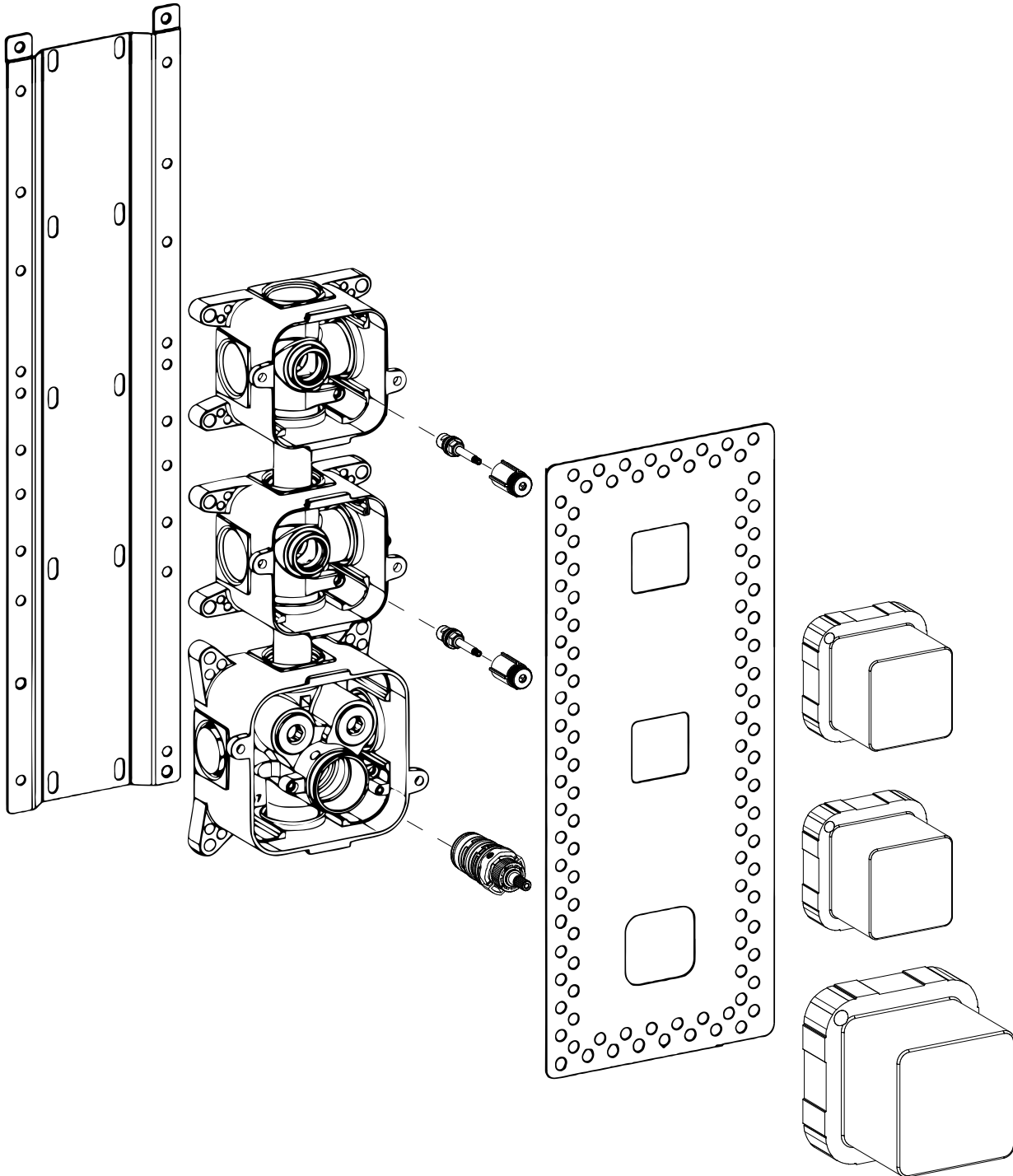
CS-702

High-Performance Shower Mixer

INSTALLATION SEQUENCE

aquatica®

Function, Form & Fashion



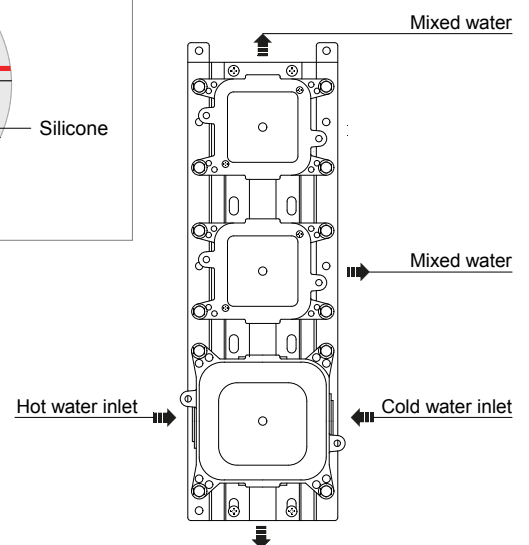
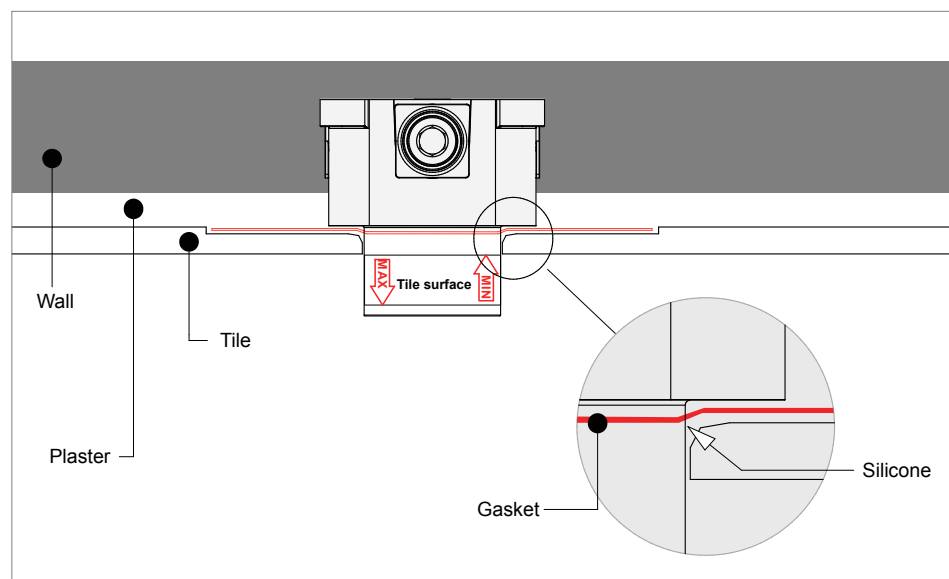
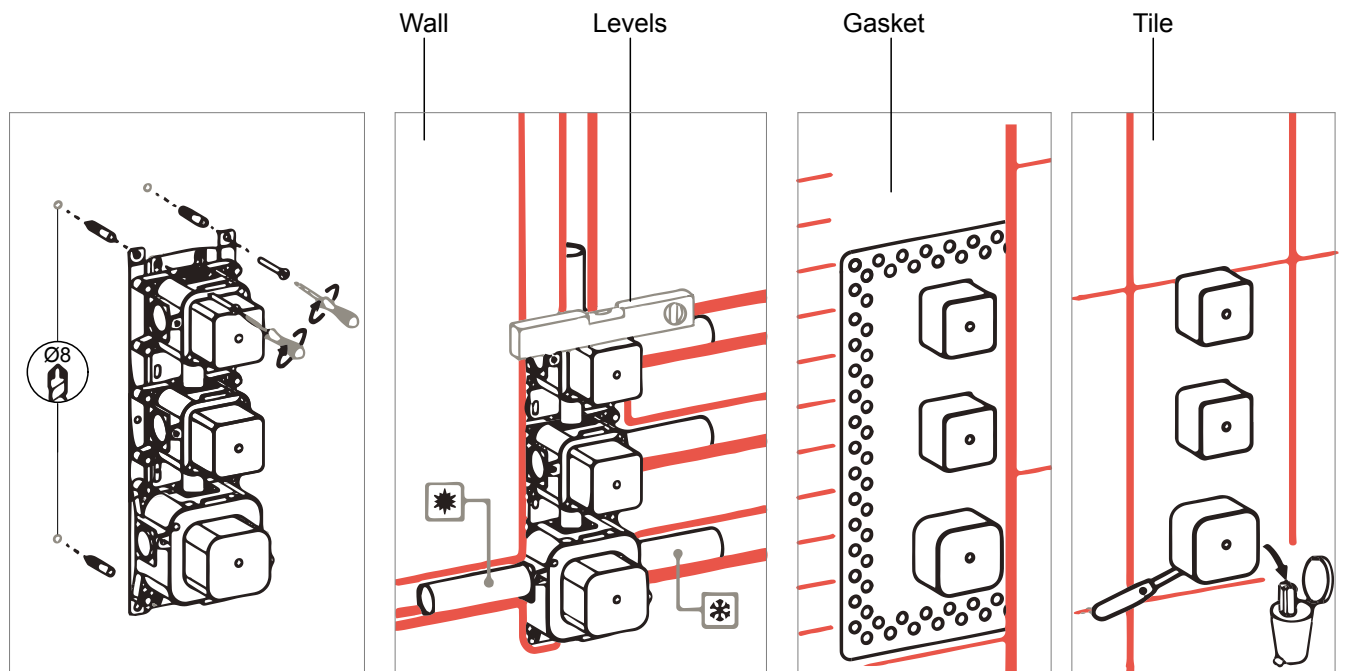
aquatica®

Function, Form & Fashion

CS-702

High-Performance Shower Mixer

INSTALLATION SEQUENCE



aquatica®

Function, Form & Fashion

